

Data Sheet

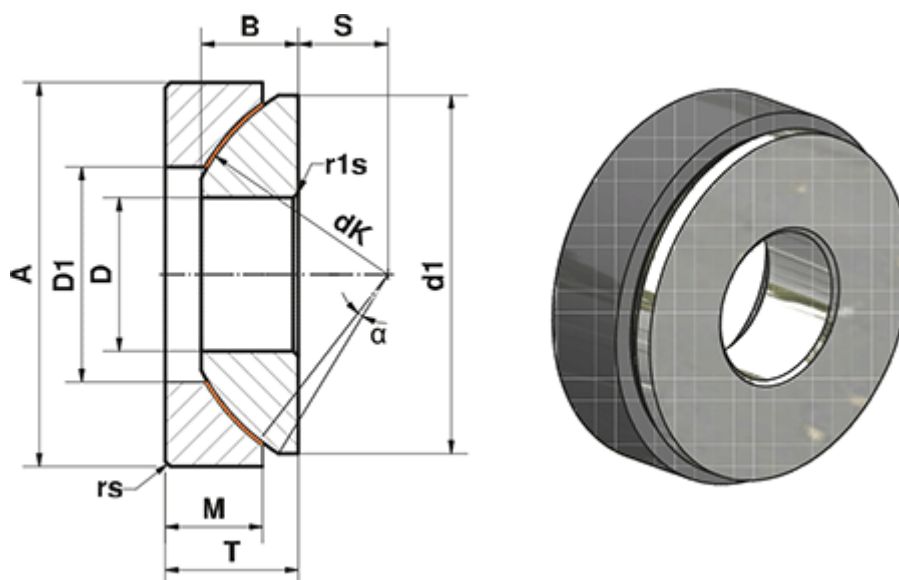


Article number: 03450260

Description: Fluro Heavy Duty Spherical Plain Bearing GE 260 AWE
Hole \varnothing 260

Note: 260

Measures



A	= 430	M	= 80
a (degrees)	= 7	rs, r1s min	= 1.5
B	= 95	S	= 82.5
D	= 260	Static load C0 (kN)	= 18019
D1	= 317	T	= 115
d1 min	= 409	Weight (g)	= 71300
dK	= 449		
Dynamic load C (kN)	= 10811		